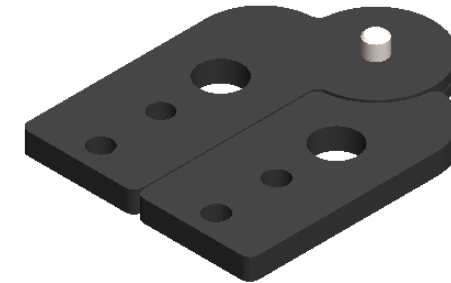
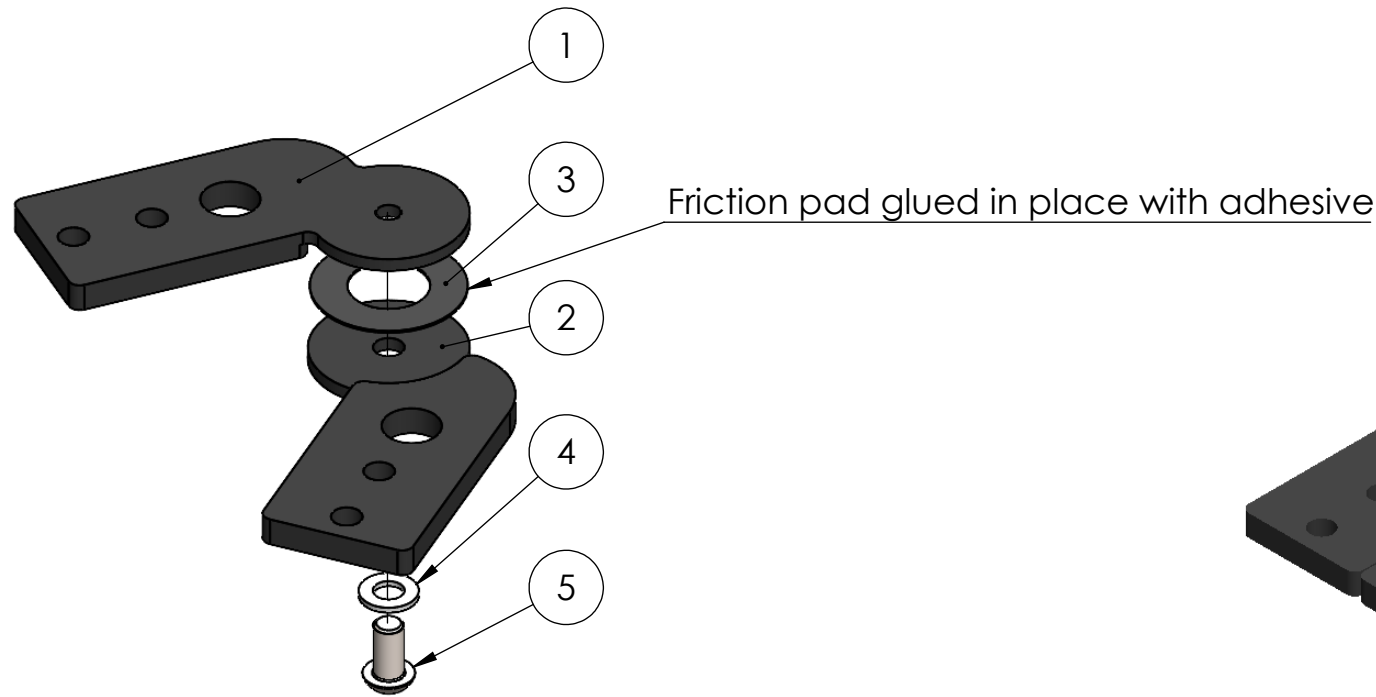
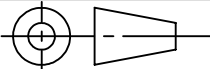



REVISIONS				
REV.	DESCRIPTION	ECO	DATE	CHANGED BY
A	New item		15/03/2022	BAR



ITEM NO.	PART NUMBER	DESCRIPTION	QTY.	 All Dimensions are in mm		DEBURR AND BREAK SHARP EDGES			
1	17100248	Right part for pivot bracket	1	TOLERANCE:		Last saved by: chd Wednesday, 15 March 2023 13:36:51	Copyright © SGM Light A/S. All rights reserved. Pivot bracket pack DWG NO. 83060718-A		
2	17100249	Left part for pivot bracket	1	MATERIAL: Material <not specified>					
3	15060209	Friction pad for pivot bracket	1	FINISH:					
4	06134401-A	ISO 7089, M8 Washer, 8,4x16x1,6, Polyamid	1						
5	06131201	ISO 7380-1, M8x16, hex socket, buttonhead, SS A2	1						
				WEIGHT IN GRAMS: 164.75	FIRST USED IN:	DO NOT SCALE DRAWING	SCALE:1:2	SHEET FORMAT: A4	SHEET 1 OF 1